



RPGE13A



208/230v
Single
Phase

410A
Refrigerant

REFRIGERANT SYSTEM

- Environmentally friendly R410A refrigerant
- Copper tubing with enhanced fin coils
- External service gauge ports

HEAT EXCHANGER

- Aluminized steel tapered S-curve
- Crimped no weld construction for longer life

CABINET CONSTRUCTION

- Low profile, with compact footprint
- Insulation to minimize heat loss plus reduce sound
- Baked on pre painted steel cabinet finish
- Easy service access
- Wire grill protection
- One piece "no leak" top design

BLOWER

- Insulated compartment to reduce sound
- High efficiency multispeed motor for wide airflow range

CONTROLS

- Solid state integrated blower control board with L.E.D. diagnostics
- Direct spark ignition

INSTALLATION

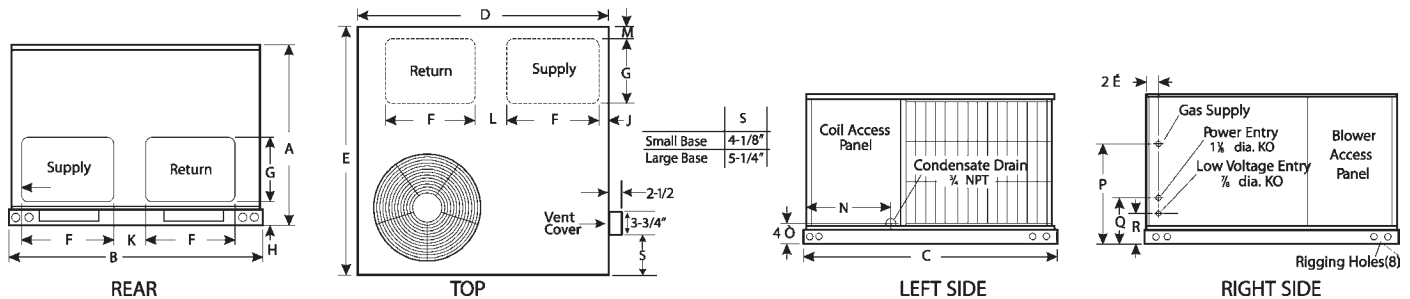
- Full perimeter base rail system for easy installation
- Horizontal or down discharge, duct covers provided
- Utility connections on "right side"
- Filter channels for 1" filter field provided

WARRANTY

- 10 year limited parts and compressor warranty/ lifetime heat exchanger warranty available. See limited warranty document for details.

Locke#	Model#	Tonnage	Voltage/Hz/Phase	SEER
L6724	RPGE13A24050P	2	208-230/60/1	13
L6725	RPGE13A24075P	2	208-230/60/1	13
L6726	RPGE13A30075P	2½	208-230/60/1	13
L6727	RPGE13A36075P	3	208-230/60/1	13
L6728	RPGE13A36100P	3	208-230/60/1	13
L6729	RPGE13A42100P	3½	208-230/60/1	13
L6730	RPGE13A48125P	4	208-230/60/1	13
L6731	RPGE13A60125P	5	208-230/60/1	13

HVAC



Dimensions (in.)

Model	A	B	C	D	E	F	G	H	J	K	L	M	N	P	Q	R
RPGE13-24	32½	46½	46½	45½	45½	17½	11½	5½	1½	4	4	1¼	15½	20½	9%	9%
RPGE13-30																
RPGE13-36																
RPGE13-42	34½	55½	55½	54½	49½	21½	12	5½	1½	6¼	5½	3%	17½	20¾	10¾	6
RPGE13-48																
RPGE13-60																

PACKAGED GAS/ELECTRIC Units



4PGE15E

208/230v Single Phase



410A Refrigerant

PACKAGE GAS/ELECTRIC REFRIGERANT SYSTEM

- Heavy-duty, high efficiency scroll compressor
- Copper tubing with enhanced fin coils

HEAT EXCHANGER

- Aluminized steel tubular

CABINET

- Insulation to minimize heat loss
- Powder paint for maximum durability
- Easy service access
- Louvered grille to protect condenser coil
- One piece "no leak" top design
- Weather protected heavy-duty condenser fan motor
- Aluminum fan for long life
- Internal filter rack

BLOWER

- Insulated compartment to reduce sound
- Easy service split-ring design with quick plug-in wiring
- ECM variable speed motor for low maintenance and maximum efficiency
- Dynamically balanced blower wheel with resilient motor mounts for smooth and quiet operation

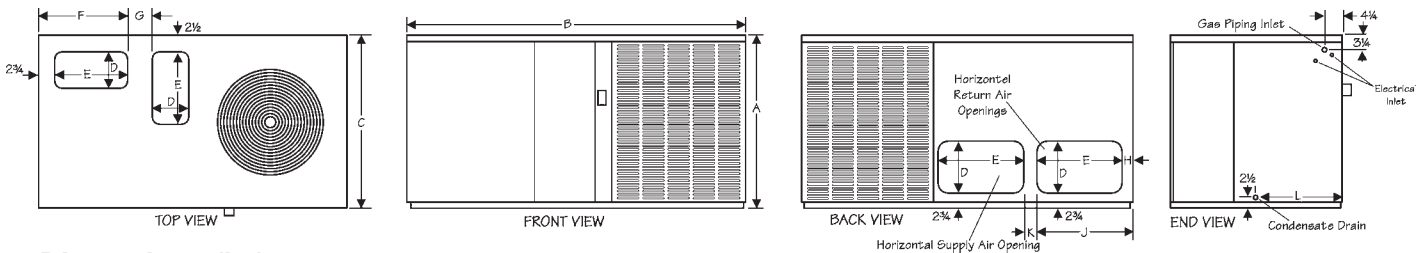
CONTROLS

- Trade available components
- Comfort Alert™ diagnostic continually monitors system operation for easy service
- Solid state integrated blower control/ignition control board with L.E.D. diagnostics
- Color coded wiring for easy service

INSTALLATION

- Horizontal or down discharge
 - All models comply with California Low NOx regulations
 - Rectangular duct covers
- 20 Year limited warranty on heat exchanger
10 Year limited warranty on compressor
5 year limited warranty on all parts

Locke#	Model#	Tonnage	Voltage/Hz/Phase	SEER
L6975	4PGE15E24068P	2	208-230/60/1	15
L6976	4PGE15E30068P	2½	208-230/60/1	15
L6977	4PGE15E36068P	3	208-230/60/1	15
L6978	4PGE15E36090P	3	208-230/60/1	15
L6979	4PGE15E42083P	3½	208-230/60/1	15
L6980	4PGE15E42110P	3½	208-230/60/1	15
L6981	4PGE15E48138P	4	208-230/60/1	15
L6982	4PGE15E60138P	5	208-230/60/1	15



Dimensions (in.)

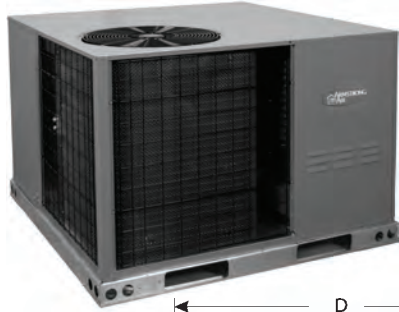
Model	A	B	C	D	E	F	G	H	J	K	L
4PGE15E24	34¾	65¾	36½	11¼	17¼	20	8½	3	20¼	4½	19
4PGE15E30											
4PGE15E36											
4PGE15E42	38¾	75	46	11¼	19¼	22	9¼	3¼	22¼	4	16¼
4PGE15E48											
4PGE15E60											

HVAC

PACKAGED EI ECt RiC/EI ECt RiC Units



RESIDENTIAL PACKAGED UNIT ELECTRIC / ELECTRIC



RPCE13

208/230v Single Phase
R410a Refrigerant

REFRIGERANT SYSTEM

- Environmentally friendly R410A refrigerant
- Copper tubing with enhanced fin coils
- External service gauge ports

CABINET CONSTRUCTION

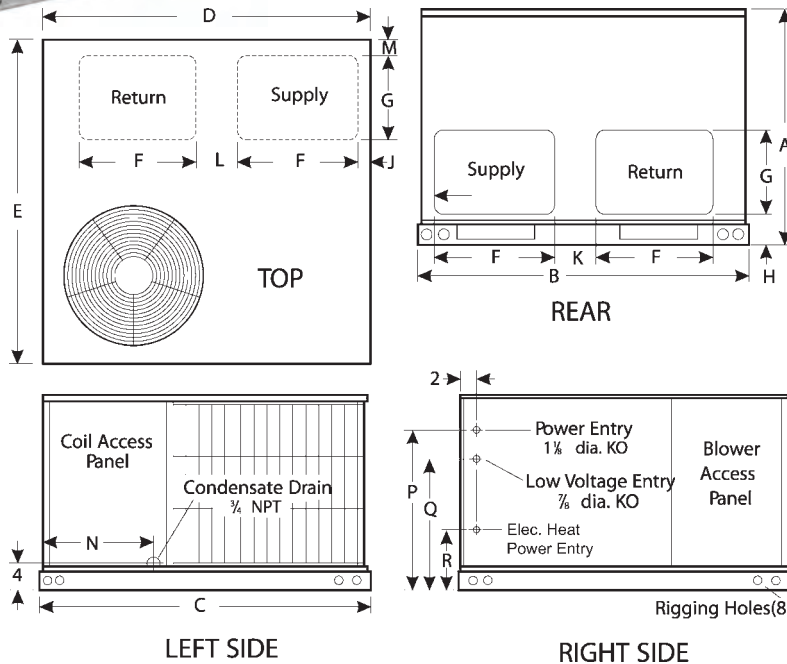
- Low profile, with compact footprint
- Insulation to minimize heat loss plus reduce sound
- Baked on pre painted steel cabinet finish
- Easy service access
- Wire grill protection
- One piece "no leak" top design

BLOWER

- Insulated compartment to reduce sound
- High efficiency multispeed motor for wide airflow range

INSTALLATION

- Full perimeter base rail system for easy installation
- Horizontal or down discharge, duct covers provided
- Utility connections on "right side"
- Filter channels for 1" filter field provided



Dimensions (in.)

Locke#	Model	Tonnage	A	B	C	D	E	F	G	H	J	K	L	M	N	P	Q	R
L6715	RPCE13A24P	2																
L6716	RPCE13A30P	2½	32½	46½	46½	45½	45½	17½	11½	5½	1½	4	4	1¾	15½	27¾	24½	9¾
L6717	RPCE13A36P	3																
L6718	RPCE13A42P	3½																
L6719	RPCE13A48P	4	34½	55½	50½	54½	49½	21½	12	5½	1½	6¼	5½	2¾	17½	29¾	26½	15½
L6720	RPCE13A60P	5																

Specifications

Locke#	Model	Voltage/Hz/Phase	Normal Voltage Range	Min. Circuit Ampacity	Max. Fuse/HACR Brkr.	Compressor		Fan Motor		Indoor Blower	
						Rated Load	Locked Rotor	Rated Load	Rated HP	Rated Load	Rated HP
L6715	RPCE13A24P	208-230/60/1	197-253	15.7	20	8.3	43	1.2	1/4	4.1	1/2
L6716	RPCE13A30P	208-230/60/1	197-253	19.3	25	11.2	54	1.2	1/4	4.1	1/2
L6717	RPCE13A36P	208-230/60/1	197-253	22.9	30	14.1	77	1.2	1/4	4.1	1/2
L6718	RPCE13A42P	208-230/60/1	197-253	27.5	40	16.2	88	1.7	1/3	5.8	3/4
L6719	RPCE13A48P	208-230/60/1	197-253	28.4	40	16.7	84	1.7	1/3	5.8	3/4
L6720	RPCE13A60P	208-230/60/1	197-253	38.7	60	25.0	134	1.7	1/3	5.8	3/4

15 sEER PACKAGED HEAT PUMPS



PACKAGE HEAT PUMP

4PHP15E



208/230v Single Phase

REFRIGERANT SYSTEM

- Heavy-duty, high efficiency scroll compressor
- Copper tubing with enhanced fin coils
- R410a refrigerant environmentally friendly

CABINET

- Insulation to minimize heat loss
- Baked polyester paint finish over galvanized steel for maximum durability
- Easy service access
- Louvered grille to protect condenser coil
- One piece "no leak" top design
- Weather protected heavy-duty condenser fan motor

BLOWER

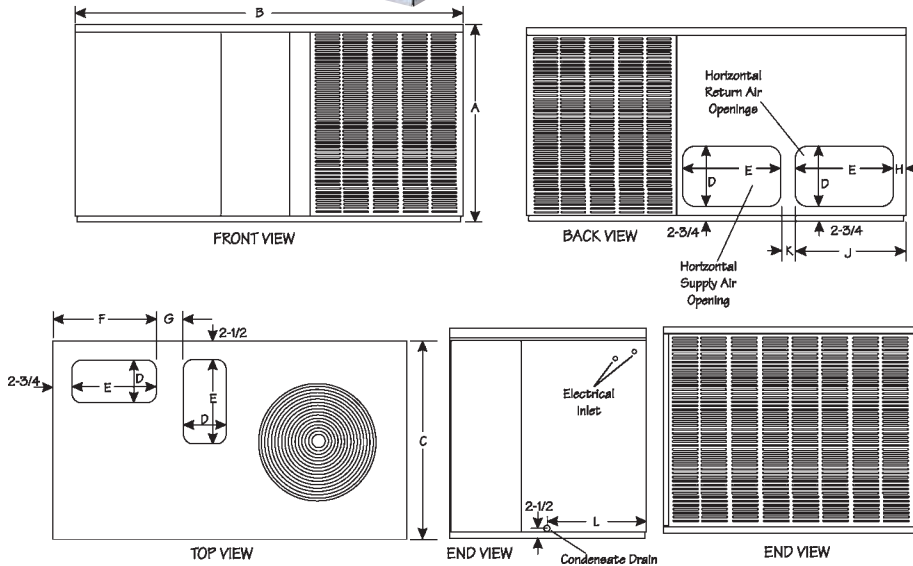
- Insulated compartment to reduce sound
- Easy service split-ring design with quick plug-in wiring
- ECM variable speed motor for low maintenance and maximum efficiency
- Dynamically balanced blower wheel with resilient motor mounts for smooth and quiet operation

CONTROLS

- Trade available components
- Defrost control features built in diagnostics for easier service
- Defrost control has short cycle protection to protect the compressor
- Defrost cycle is field selectable 30/60/90 minutes
- Defrost control is Quiet Shift™ capable
- High pressure switch for system protection
- Color coded wiring for easy service

INSTALLATION

- Horizontal or down discharge



Dimensions (in.)

Locke#	Model	A	B	C	D	E	F	G	H	J	K	L
L6887	4PHP15E24P	34 1/4	65 3/8	36 1/2	11 1/4	17 1/4	20	8 1/2	3	20 1/4	4 1/2	19
L6888	4PHP15E36P											
L6838	4PHP15E42P	38 1/4	75	46	11 1/4	19 1/4	22	9 1/4	3 1/4	22 1/4	4	16 1/4
L6889	4PHP15E48P											
L6898	4PHP15E60P											

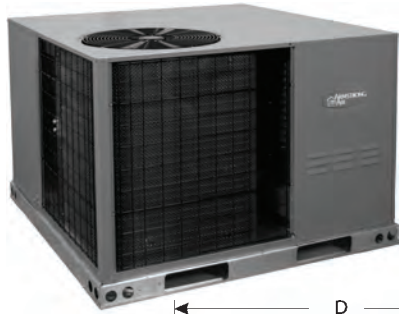
Specifications

Locke#	Model	Voltage/Hz/Phase	Normal Voltage Range	Min. Circuit Ampacity	Max. Fuse/HACR Brkr.	Compressor		Fan Motor			Indoor Blower	
						Rated Load	Locked Rotor	Rated Load	Rated HP	Nom. RPM	Rated Load	Rated HP
L6887	4PHP15E24P	208-230/60/1	197-253	21	30	13.5	59	1.1	1/5	1075	1.5	1/3
L6888	4PHP15E36P	208-230/60/1	197-253	25	35	16.6	79	1.1	1/5	1075	1.5	1/2
L6838	4PHP15E42P	208-230/60/1	197-253	29	40	17.9	112	1.7	1/4	825	2.7	3/4
L6889	4PHP15E48P	208-230/60/1	197-253	34	50	21.8	117	1.7	1/4	825	2.7	3/4
L6898	4PHP15E60P	208-230/60/1	197-253	39	60	26.4	134	1.7	1/4	825	2.7	3/4

13 sEER PACKAGED HEAT PUMPS



RESIDENTIAL PACKAGE UNIT HEAT PUMP



RPHP13

208/230v Single Phase
R410a Refrigerant

REFRIGERANT SYSTEM

- Environmentally friendly R410A refrigerant
- Copper tubing with enhanced fin coils
- External service gauge ports

CABINET CONSTRUCTION

- Low profile, with compact footprint
- Insulation to minimize heat loss plus reduce sound
- Baked on pre painted steel cabinet finish
- Easy service access
- Wire grill protection
- One piece "no leak" top design

BLOWER

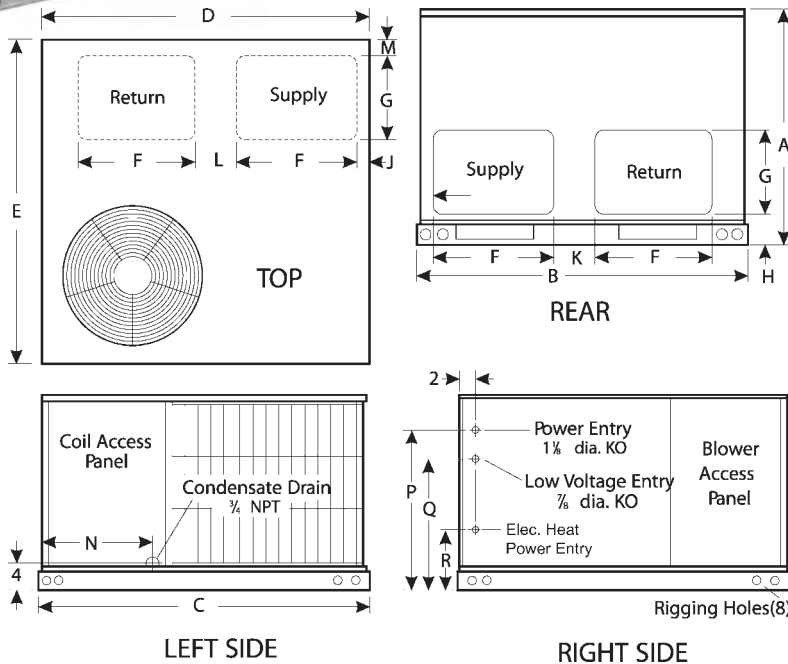
- Insulated compartment to reduce sound
- High efficiency multispeed motor for wide airflow range

CONTROLS

- Integrated control with L.E.D. diagnostics
- Defrost control board with field selectable time intervals
- High and low refrigerant pressure switches for system protection

INSTALLATION

- Full perimeter base rail system for easy installation
- Horizontal or down discharge, duct covers provided
- Utility connections on "right side"
- Filter channels for 1" filter field provided



Dimensions (in.)

Locke#	Model	Tonnage	A	B	C	D	E	F	G	H	J	K	L	M	N	P	Q	R
L6721	RPHP13A24P	2																
L6722	RPHP13A30P	2.5	32½	46½	46½	45%	45%	17½	11½	5½	1½	4	4	1¼	15%	27¼	24%	9¼
L6723	RPHP13A36P	3																
L6741	RPHP13A42P	3.5																
L6742	RPHP13A48P	4	34½	55½	50½	54%	49%	21½	12	5½	1½	6¼	5%	2%	17%	29¼	26%	15½
L6743	RPHP13A60P	5																

Specifications

Locke#	Model	Voltage/Hz/Phase	Normal Voltage Range	Min. Circuit Ampacity	Max. Fuse/HACR Brkr.	Compressor		Fan Motor		Indoor Blower	
						Rated Load	Locked Rotor	Rated Load	Rated HP	Rated Load	Rated HP
L6721	RPHP13A24P	208-230/60/1	197-253	21.3	30	12.8	58.3	1.2	1/4	4.1	1/2
L6722	RPHP13A30P	208-230/60/1	197-253	21.3	30	12.8	64	1.2	1/4	4.1	1/2
L6723	RPHP13A36P	208-230/60/1	197-253	26.1	35	16.6	79	1.2	1/4	4.1	1/2
L6741	RPHP13A42P	208-230/60/1	197-253	29.9	40	17.9	112	1.7	1/3	5.8	3/4
L6742	RPHP13A48P	208-230/60/1	197-253	34.7	50	21.8	117	1.7	1/3	5.8	3/4
L6743	RPHP13A60P	208-230/60/1	197-253	40.5	60	26.4	134	1.7	1/3	5.8	3/4

HVAC

15 sEER PACKAGED HEAT PUMPS



PACKAGE HEAT PUMP

4PHP13E

208/230v Single Phase 410A Refrigerant



REFRIGERANT SYSTEM

- Heavy-duty, high efficiency scroll compressor
- Copper tubing with enhanced fin coils
- R410a refrigerant environmentally friendly

CABINET

- Insulation to minimize heat loss
- Baked polyester paint finish over galvanized steel for maximum durability
- Easy service access
- Louvered grille to protect condenser coil
- One piece "no leak" top design
- Weather protected heavy-duty condenser fan motor

BLOWER

- Insulated compartment to reduce sound
- Easy service split-ring design with quick plug-in wiring
- PCS pre-lubricated multi-speed motor for low maintenance and maximum efficiency
- Dynamically balanced blower wheel with resilient motor mounts for smooth and quiet operation

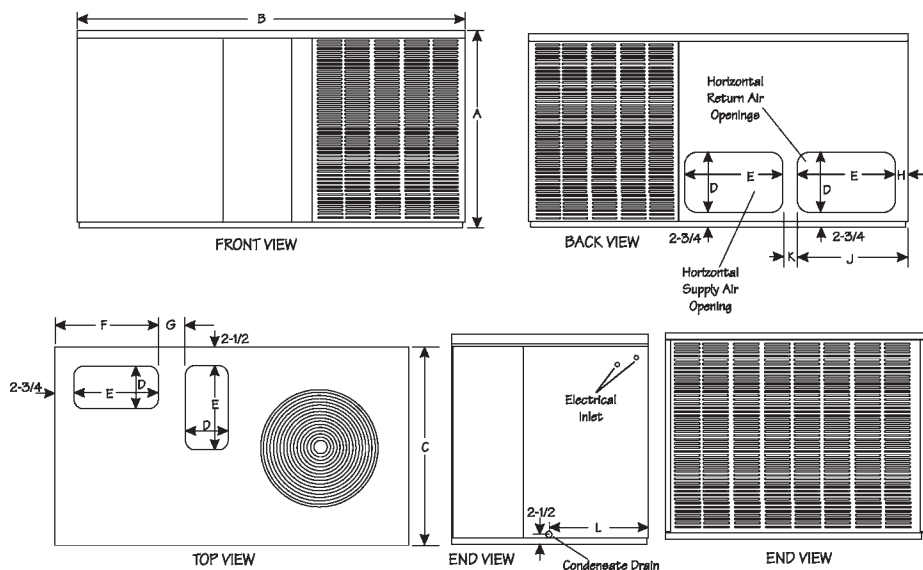
CONTROLS

- Integrated control with LED diagnostics
- Trade available components
- Defrost control features built in diagnostics for easier service
- Defrost control has short cycle protection to protect the compressor
- Defrost cycle is field selectable 30/60/90 minutes
- Defrost control is Quiet Shift™ capable
- High pressure switch for system protection
- Color coded wiring for easy service

INSTALLATION

- Horizontal or down discharge

HVAC



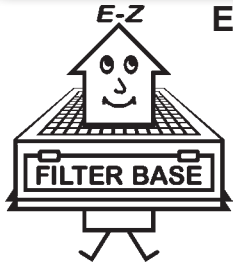
Dimensions (in.)

Locke#	Model	Tonnage	A	B	C	D	E	F	G	H	J	K	L
L6735	4PHP13E24P	2	34 1/4"	65 3/8"	36 1/2"	11 1/4"	17 1/4"	20"	8 1/2"	3"	20 1/4"	4 1/2"	19"

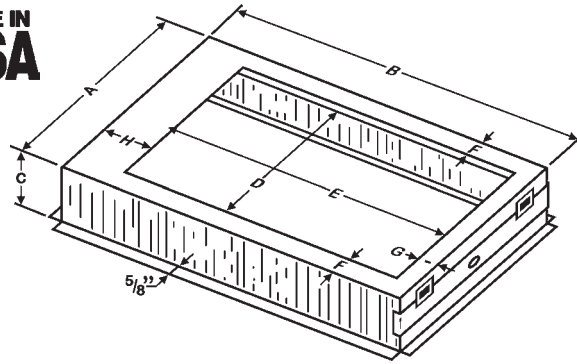
Specifications

Locke#	Model	Voltage/Hz/Phase	Normal Voltage Range	Min. Circuit Ampacity	Max. Fuse/HACR Brkr.	Compressor		Fan Motor		Indoor Blower	
						Rated Load	Locked Rotor	Rated Load	Rated HP	Rated Load	Rated HP
L6735	4PHP13E24P	208-230/60/1	197-253	22	30	13.5	59	1.1	1/5	2.2	1/2

EASY ACCESS FURNACE FILTER BASE



E-Z FILTER BASE MFG., INC.



**FOR
ARMSTRONG
UPFLOW GAS
FURNACE**

Features:

- Lift Access Door - Remove Filter
- No Furnace Panels or Door To Remove
- Use Standard Size Filter
- Keeps Evaporator Coils Clean
- More Efficient - Heating and Cooling
- Customized Professional Installations
- Creates Customer Referrals
- Accepts 1" or 2" Filter

Filter Not Included.

- Suitable for use with Disposable or Electrostatic Washable Type Filters.

PHYSICAL DATA AND SPECIFICATIONS

Locke#	Model#	OVERALL			OPENING		TOP			Metal Gauge	Weight	Filter Size
		A	B	C	D	E	F	G	H			
L2996	EZ-1425	14 1/4"	28 5/8"	4"	11 1/4"	24 5/8"	1 1/4"	1"	3"	22	9 Lbs.	14 x 25 x 1
L2997	EZ-1625	17 5/8"	28 5/8"	4"	15 1/8"	24 5/8"	1 1/4"	1"	3"	22	10 Lbs.	16 x 25 x 1
L2998	EZ-2025	21 5/8"	28 5/8"	4"	19 1/8"	24 5/8"	1 1/4"	1"	3"	22	11 Lbs.	20 x 25 x 1
L2999	EZ-2424	24 5/8"	28 5/8"	4"	22 1/8"	24 5/8"	1 1/4"	1"	3"	22	12 Lbs.	24 x 24 x 1

Upflow/Horizontal Furnace Model	Filter Base Required	Locke#
G1N80BT050D12A	EZ-1425	L2996
G1N80BT075D12A	EZ-1425	L2996
G1N80BT075D16B	EZ-1625	L2997
G1N80BT100D14B	EZ-1625	L2997
G1N80BT100D20C	EZ-2025	L2998
G1N80BT125D20C	EZ-2025	L2998
G2D80CT050D12B	EZ-1625	L2997
G2D80CT075D14B	EZ-1625	L2997
G2D80CT100D14B	EZ-1625	L2997
G2D80CT100D20C	EZ-2025	L2998
G2D80CT125D20C	EZ-2025	L2998
G2D80CT150D20D	EZ-2424	L2999
G2D80CT050V12B	EZ-1625	L2997
G2D80CT075V14B	EZ-1625	L2997
G2D80CT100V14B	EZ-1625	L2997
G2D80CT100V20C	EZ-2025	L2998
G2D80CT125V20C	EZ-2025	L2998
G2D80CT150V20D	EZ-2424	L2999
G1D91BT050D12B	EZ-1625	L2997
G1D91BT075D12B	EZ-1625	L2997

G1D91BT100D16C	EZ-2025	L2998
G1D91BT100D20C	EZ-2025	L2998
G1D91BT125D20C	EZ-2025	L2998
G2D93CT040D12B	EZ-1425	L2996
G2D93CT060D14B	EZ-1625	L2997
G2D93CT080D16C	EZ-2025	L2998
G2D93CT100D20C	EZ-2025	L2998
G2D93CT125D20C	EZ-2025	L2998
G2D95CT040V12B	EZ-1425	L2996
G2D95CT060V14B	EZ-1625	L2997
G2D95CT080V16C	EZ-2025	L2998
G2D95CT080V20C	EZ-2025	L2998
G2D95CT100V20D	EZ-2424	L2999
G2D95CT125V20D	EZ-2424	L2999

Upflow Furnace Model	Filter Base Required	Locke#
G1N80BU050D12A	EZ-1425	L2996
G1N80BU075D12A	EZ-1425	L2996
G1N80BU075D16B	EZ-1625	L2997
G1N80BU100D14B	EZ-1625	L2997
G1N80BU100D20C	EZ-2025	L2998
G1N80BU125D20C	EZ-2025	L2998
G1N80BU150D20D	EZ-2424	L2999
G1D91BU050D12B	EZ-1625	L2997
G1D91BU075D12B	EZ-1625	L2997
G1D91BU075D16C	EZ-2025	L2998
G1D91BU100D16C	EZ-2025	L2998
G1D91BU100D20C	EZ-2025	L2998
G1D91BU125D20D	EZ-2424	L2999
G1D93BU045D12B	EZ-1625	L2997
G1D93BU067D12B	EZ-1625	L2997
G1D93BU067D16C	EZ-2025	L2998
G1D93BU090D16C	EZ-2025	L2998
G1D93BU090D20C	EZ-2025	L2998
G1D93BU112D20C	EZ-2025	L2998

HVAC

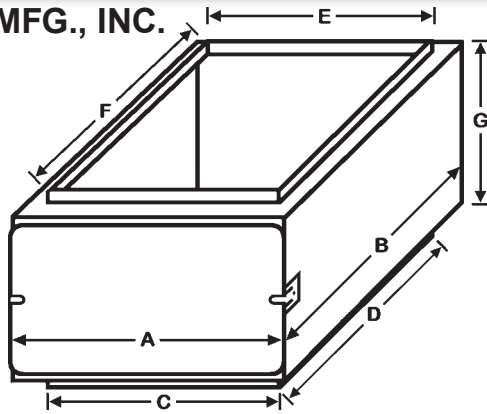
EASY ACCESS FURNACE FILTER BASE



E-Z FILTER BASE MFG., INC.



**FOR
ARMSTRONG
DOWNFLOW
GAS FURNACE**



Features:

- No Furnace panels or Door To Remove
- Use Standard Size Filters
- Keeps Evaporator Coils Clean
- More Efficient - Heating and Cooling
- Customized Professional Installations
- Creates Customer Referrals

Filter Not Included.

- Suitable for use with Disposable or Electrostatic Washable Type Filters.

PHYSICAL DATA AND SPECIFICATIONS

Locke#	Model#	Furnace Width	A	B	C	D	E	F	G	Filters Required	Gauge Metal	Apprx. Wt. (Lbs.)
L2989	DFA-200	14½"	14½"	21"	13¾"	19¾"	12¼"	20¼"	12"	2-10x20x1	24	12
L2992	DFA-300	17½"	17½"	21"	16¾"	19¾"	16¼"	20¼"	12"	3-10x20x1	24	14
L2990	DFA-400	22"	22"	21"	21¼"	19¾"	20"	20¼"	12"	3-10x20x1	24	16
L2991	DFA-500	26½"	26½"	21"	25¾"	19¾"	23½"	20¼"	12"	4-10x20x1	24	18

Fits Downflow Furnace Model	Filter Base Required	Locke#
G1N80BR050D12A	DFA-200	L2989
G1N80BR075D12A	DFA-200	L2989
G1N80BR075D16B	DFA-300	L2992
G1N80BR100D14B	DFA-300	L2992
G1N80BR100D20C	DFA-400	L2990
G1N80BR125D20C	DFA-400	L2990
G1N80BR150D20D	DFA-500	L2991

Fits Downflow Furnace Model	Filter Base Required	Locke#
G1D93BC045D12B	DFA-300	L2992
G1D93BC067D12B	DFA-300	L2992
G1D93BC067D16C	DFA-400	L2990
G1D93BC090D16C	DFA-400	L2990
G1D93BC090D20C	DFA-400	L2990
G1D93BC112D20D	DFA-500	L2991

Fits Downflow Furnace Model	Filter Base Required	Locke#
G2D95CC060V14B	DFA-300	L2992
G2D95CC080V16C	DFA-400	L2990
G2D95CC080V20C	DFA-400	L2990
G2D95CC100V20D	DFA-500	L2991
G2D95CC125V20D	DFA-500	L2991

HVAC

EASY WIDE ACCESS FURNACE FILTER BASE



E-Z FILTER BASE MFG., INC.

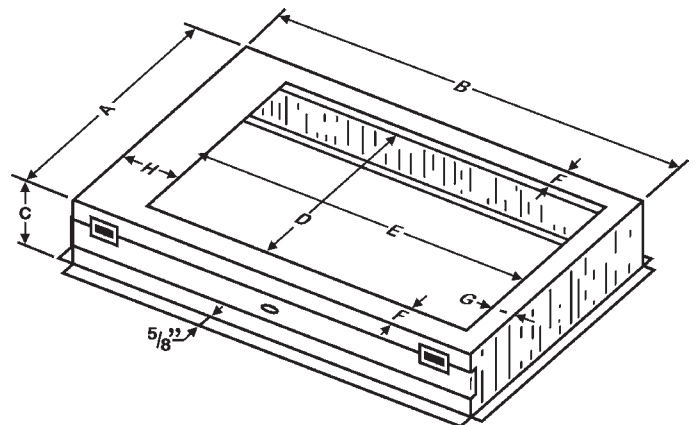


Features:

- No Furnace panels or Door To Remove
- Use Standard Size Filters
- Keeps Evaporator Coils Clean
- More Efficient - Heating and Cooling
- Customized Professional Installations
- Creates Customer Referrals

Filter Not Included.

- Suitable for use with Disposable or Electrostatic Washable Type Filters.



EASY ACCESS FAN/COIL UNIT FILTER BASE



E-Z FILTER BASE MFG., INC.



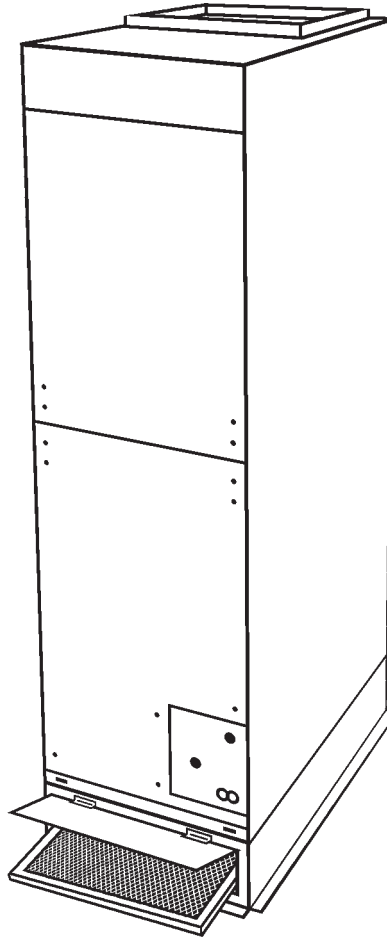
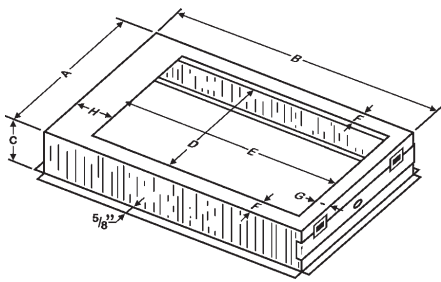
FOR ARMSTRONG AIR HANDLERS

Features:

- Lift Access Door - Remove Filter
- No Unit Panels or Door To Remove
- Use Standard Size Filters
- Keeps Evaporator Coils Clean
- More Efficient - Heating and Cooling
- Customized Professional Installations
- Creates Customer Referrals

Filter Not Included.

- Suitable for use with Disposable or Electrostatic Washable Type Filters.



Hart & Cooley SMART FILTER SEAL



The SMART Filter Seal is a durable, yet flexible high-strength film designed to fit tightly over the air filter slot on the return air plenum and prevent air from bypassing the filter and thus save energy and improve indoor air quality. Magnets surrounding the perimeter hold it tight against the plenum to prevent air leakage. It can be easily removed to change out dirty air filters and replaced again.

The 2009 edition of the International Energy Conservation Code (IECC), section 403.2.2 states, "Sealing all ducts, air handlers, filter boxes, and building cavities used as ducts shall be sealed." The SMART Filter Seal fulfills that requirement.

Furthermore, both the U.S. Department of Energy and Energy Star recommend sealing the furnace slot.

Locke#

L2446 2000153 SMART Filter Seal

PHYSICAL DATA AND SPECIFICATIONS

Locke#	Model#	OVERALL			OPENING		TOP			Gauge Metal	Approx. Weight	Filter Size
		A	B	C	D	E	F	G	H			
L2988	EZ-1420-FC	14½"	22"	4"	11¾"	19"	1¼"	1"	2"	22	6 Lbs.	14 x 20 x 1
L2993	EZ-1620-FC	17½"	22"	4"	15"	19"	1¼"	1"	2"	22	8 Lbs.	16 x 20 x 1
L2994	EZ-2020-FC5	21"	22"	4"	18½"	19"	1¼"	1"	2"	22	9 Lbs.	20 x 20 x 1
L2995	EZ-2025-FCN	22"	25"	4"	19½"	21"	1¼"	1"	2½"	22	10 lbs.	20 x 25 x 1

Upflow/Horizontal Air Handler Model	Filter Base Required	Locke#
BCS2M18	EZ-1620-FC	L2993
BCS2M24	EZ-1620-FC	L2993
BCS2M30	EZ-2020-FC	L2994
BCS2M36	EZ-2020-FC	L2994
BCS2M42	EZ-2025-FCN	L2995
BCS2M48	EZ-2025-FCN	L2995
BCS2M60	EZ-2025-FCN	L2995

Up/Down/Horizontal Air Handler Model	Filter Base Required	Locke#
EFC08BC	EZ-1620-FC	L2993
EFC12BC	EZ-1620-FC	L2993
EFC16CC	EZ-2020-FC	L2994
EFC20DC	EZ-2025-FCN	L2995
EFV12BC	EZ-1620-FC	L2993
EFV16BC	EZ-2020-FC	L2994
EFV20DC	EZ-2025-FCN	L2995