

77C-A Series

2 Piece Full Port
Bronze Ball Valve

SUBMITTAL SHEET

"Apollo" Flow Controls



Job Name:	
Job Location:	
Engineer:	
Contractor:	
Tag:	
PO#:	
Rep:	
Wholesale Dist.:	

DESCRIPTION

The Apollo® 77C-A "Contractor Series" Ball Valve features a dezincification resistant bronze body, premium RPTFE seats and stem packing and a "Solid Ball" design that delivers true full-port flow performance. Cast and machined in Apollo's South Carolina manufacturing plants using proven ASTM materials. **Not for use with potable water systems in USA.**

FEATURES

- RPTFE Seats & Seals
- Blowout-Proof Stem Design
- Adjustable Stem Packing
- Full-Port "Solid Ball" Design
- 100% Factory Tested
- **100% MADE IN THE USA**

APPROVALS

- MSS SP-110 Compliant
- CRN: OCI0908.5C
- IAPMO R&T / UPC - IGC Z1157

PERFORMANCE RATING

- Maximum Pressure: 600 psi CWP, 150 psi SWP
- Maximum Temperature: 450°F
- Vacuum service to 29 in. Hg

MODELS

- (77C-140 & 77C-240 Series) SS Vented Ball and Stem
- (77CLF) Lead Free 0.25% max; ANSI 3rd Party Certified

OPTIONS

- (-01) Standard Lever and Trim
- (-04) 2 1/4" Stem Extension
- (-07) Tee Handle
- (-10) S.S. Handle and Nut
- (-11) Therma-Seal™ Insulating Tee
- (-27) Locking Handle
- (-50) 2 1/2" Locking Stem Extension
- (-92) Balancing Stop
- (-94) 2 1/4" Stem Extension and Balancing Stop

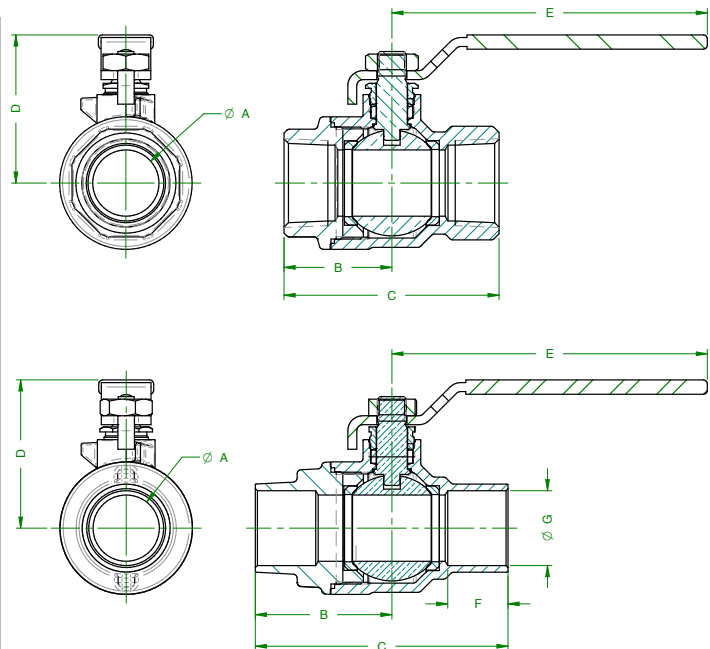
STANDARD MATERIALS LIST

GLAND NUT	ASTM B16 Brass
NUT	Zinc Plated Steel
PACKING	RPTFE
SEATS	RPTFE
STEM	ASTM B16 Brass
BALL	ASTM B16 Brass Chrome Plated or B283, C37700 Chrome Plated
RETAINER	B584 Bronze or B283, C37700
BODY	B584 Bronze
HANDLE	Zinc Plated Steel/Vinyl

DIMENSIONS

PART NO.	SIZE (IN.)	DIMENSIONS (IN.)								C _v	WT. * (LB.)
		A	B	C	D	E	F	G			
NPT											
77C-101-01A	1/4"	0.37	0.88	1.8	1.65	2.82	-	-	5	0.6	
77C-102-01A	3/8"	0.37	0.94	1.86	1.65	2.82	-	-	7	0.6	
77C-103-01A	1/2"	0.50	1.15	2.29	1.79	3.82	-	-	16	0.6	
77C-104-01A	3/4"	0.75	1.34	2.67	1.91	3.82	-	-	36	1.0	
77C-105-01A	1"	1.00	1.63	3.24	2.24	4.72	-	-	68	1.8	
77C-106-01A	1-1/4"	1.25	1.9	3.75	2.46	4.72	-	-	125	4.2	
77C-107-01A	1-1/2"	1.50	2.06	4.11	2.9	5.37	-	-	177	4.6	
77C-108-01A	2"	2.00	2.43	4.85	3.68	7.72	-	-	389	7.9	
77C-109-01A	2-1/2"	2.50	3.03	6.02	4.13	7.72	-	-	503	16.4	
SOLDER											
77C-202-01A	3/8"	0.37	1.24	2.17	1.65	2.82	0.41	0.50	7	0.6	
77C-203-01A	1/2"	0.50	1.36	2.47	1.79	3.82	0.50	0.63	16	0.6	
77C-204-01A	3/4"	0.75	1.73	3.20	1.91	3.82	0.75	0.88	36	1.0	
77C-205-01A	1"	1.00	2.06	3.81	2.24	4.72	0.91	1.13	68	1.5	
77C-206-01A	1-1/4"	1.25	2.22	4.21	2.46	4.72	0.97	1.38	125	3.9	
77C-207-01A	1-1/2"	1.50	2.53	4.90	2.9	5.37	1.09	1.63	177	5.9	
77C-208-01A	2"	2.00	3.15	6.07	3.68	7.72	1.34	2.13	389	7.5	
77C-209-01A	2-1/2"	2.50	3.78	7.17	4.13	7.72	1.48	2.63	503	14.5	

*WEIGHTS BASED ON STANDARD CONFIGURATION



Customer Service (704) 841-6000
www.apolloflowcontrols.com

This specification is provided for reference only. Conbraco Industries Inc. reserves the right to change any portion of this specification without notice and without incurring obligation to make such changes to Conbraco products previously or subsequently sold. Please visit apolloflowcontrols.com for the most current information.

